



4/25/2012

## BACKBOARD AND RIM COMBO MODEL #3241



### REGISTER YOUR PRODUCT ONLINE AT [WWW.LIFETIME.COM](http://WWW.LIFETIME.COM)

At Lifetime, we are committed to providing innovative and quality products. While registering, you will have the opportunity to give us your feedback. Your input is valuable to us.

- You can also opt in to receive new product notifications or promotions.
- In the unlikely event of a product recall or safety modification, your registration provides the information we need to notify you directly.
- Registration is fast, easy, and completely voluntary.

#### Lifetime's Promise to You:

*Maintaining your privacy is our long-standing policy at Lifetime. And you can rest assured that Lifetime will not sell or provide your personal data to other third parties, or allow them to use your personal data for their own purposes.*

We invite you to read our privacy policy at [www.lifetime.com](http://www.lifetime.com)

**REGISTER today!**

**\*\*A MINIMUM OF TWO ADULTS  
ARE REQUIRED FOR ASSEMBLY\*\***



## WARNING



To ensure your safety, do not attempt to assemble this system without reading and following **all** instructions carefully. Identify and inventory the parts using the Parts List. Failure to comply with any of the warnings in these instructions may result in serious personal injuries such as cuts, broken bones, nerve damage, paralysis, brain injury, or death. Failure to comply may also result in property damage. Please heed all warnings and cautions.

ASSEMBLY INSTRUCTIONS AND  
OWNER'S MANUAL

**\*\*U.S. and Canada customers ONLY\*\***

IF ASSISTANCE IS NEEDED,

**DO NOT CONTACT THE STORE!!!**

CALL OUR CUSTOMER SERVICE DEPARTMENT at **1 (800) 225-3865**

HOURS: 7:00 a.m. to 5:00 p.m. Monday through Friday (Mountain Standard Time)

Call, or visit our Website for Saturday hours.

**\*\*For customers outside the U.S. or Canada, please contact the store for assistance.\*\***

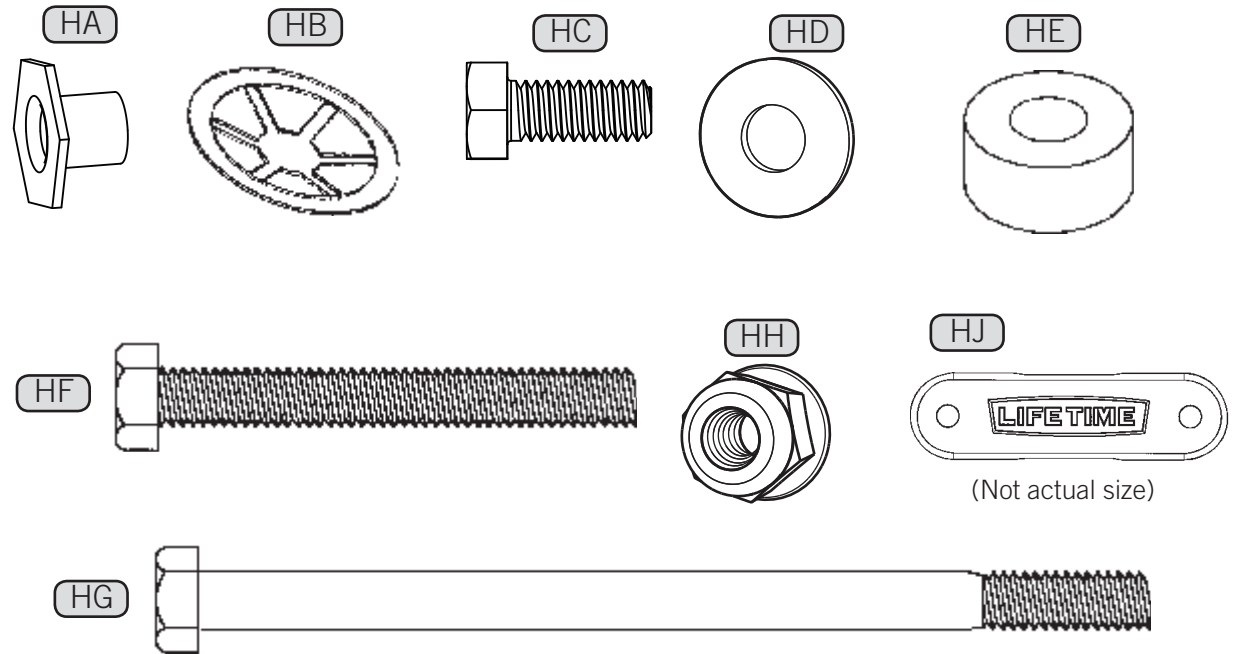
Save this instruction in the event that the manufacturer has to be contacted for replacement parts.

## PARTS LIST

ID	Part #	Description	Qty	✓
AA	502005	Net	1	<input type="checkbox"/>
BB	ZL00899B	Backboard	1	<input type="checkbox"/>
CC	AM01500	Rim Support Channel	1	<input type="checkbox"/>
DD	1018886	Rim	1	<input type="checkbox"/>
EE	502056	Plastic Guard	1	<input type="checkbox"/>
<b>Hardware (HD9120)</b>				
HA	300066	5/16" Hex T-Nut	4	<input type="checkbox"/>
HB	300114	5/16" Push Nut	2	<input type="checkbox"/>
HC	302010	5/16" x 3/4" Hex Bolt	2	<input type="checkbox"/>
HD	302014	5/16" Flat Washer	4	<input type="checkbox"/>
HE	302056	Rubber Washer	2	<input type="checkbox"/>
HF	302060	5/16" x 2 1/2" Tap Bolt	2	<input type="checkbox"/>
HG	302061	5/16" x 5 Hex Bolt	2	<input type="checkbox"/>
HH	302090	5/16" Nylock Flange Nut	4	<input type="checkbox"/>
HI	502060	Compression Springs	2	<input type="checkbox"/>
HJ	804033	Spring Retainer Plate	1	<input type="checkbox"/>

## HARDWARE IS ACTUAL SIZE

(Unless otherwise indicated)



Tools and Materials  
Required for Assembly  
(Not Included)

1. 1/2" Wrenches (2)



## SAFETY INSTRUCTIONS



**Failure to follow these safety instructions may result in serious injury or property damage and will void the warranty.**

- *The owner must ensure that all players know and follow these rules for safe use of the combo. Proper and complete assembly, use and supervision is essential for proper operation and to reduce the risk of accident or injury.*
- A high probability of serious injury exists if this system is not installed, maintained, or operated properly.
- If using a ladder during assembly, use extreme caution. Follow all warnings and cautions on the ladder carefully.
- 2 people are required for assembly.
- Climate, corrosion, or misuse could result in system failure.
- If technical assistance is required, contact the manufacturer.

**Most injuries are caused by misuse and/or failure to follow instructions. Use caution when using the system.**

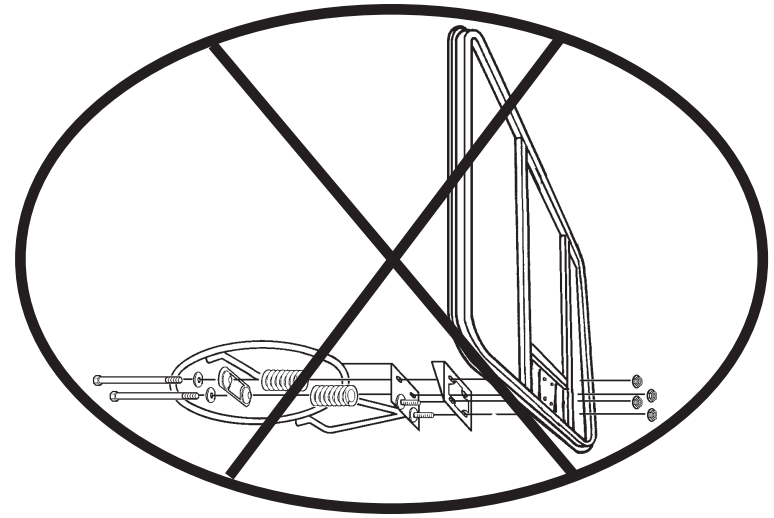
## BEFORE BEGINNING ASSEMBLY

STOP!

- Identify and inventory all parts using the checklist boxes on the Parts List. If any parts are missing, call our Customer Service Department.
- Test fit all Bolts by inserting them into their respective holes. If necessary, carefully scrape away any excess powder coating buildup from inside the holes. Do not scrape away all of the powder coating. Bare metal may rust.

STOP!

**ATTENTION:** This Backboard is *not* designed for custom installations. The Backboard is designed for use with a Lifetime Products® Pole Mounting Unit or Universal Mounting Bracket. If a Pole or Mounting Bracket is being used, mount the Backboard and Rim using the hardware and instructions included with the Pole system or Mounting kit. Depending upon which mounting method is used, follow either Option 1 or 2 according to indications below. **The Pole or Mounting Bracket will include a set of Backboard Brackets.** *Note: A Universal Mounting Bracket will allow you to install the Backboard to a wall, roof, or 3 1/2" Pole. See Page 6 for more details.*



**WARNING**

The Rim and Backboard Combo kit must be mounted and supported properly. Injury or damage will occur if sufficient Rim support is not provided.

**NOTE:** Do not mount the Rim directly to the Backboard. The Backboard alone is not designed to hold the weight of the Rim, and will not be able to support it by itself. If you need to mount the Rim to the Backboard without using a Pole system or Universal Bracket system, you must place a support plate behind the Backboard. Failure to use a support plate will result in damage to the Backboard.

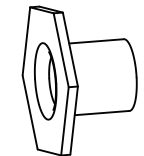
**Required For This Page:**

1/2" Wrenches

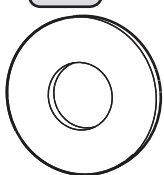


HD9120

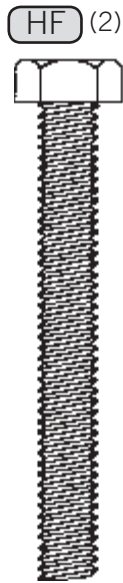
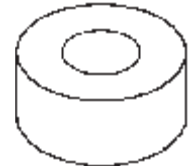
HA (2)



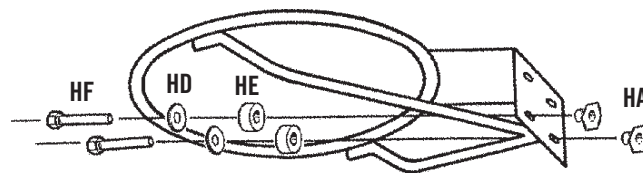
HD (2)



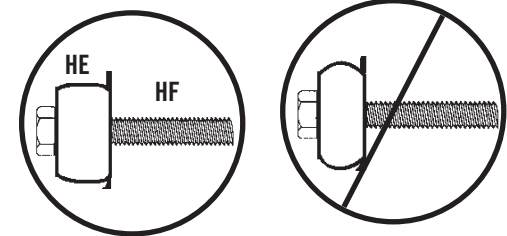
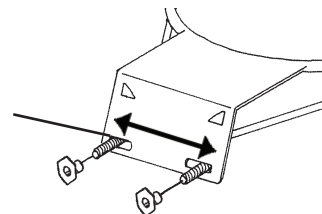
HE (2)



**This step needs to be completed no matter which Option is used.**

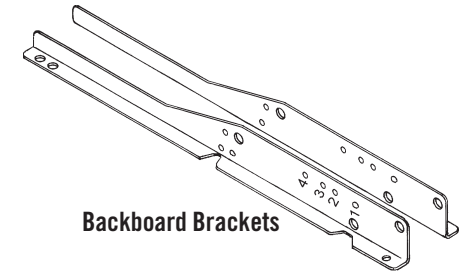
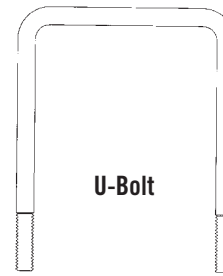


The Tap Bolts (HF) should be at the outer edge of the holes.



**Tighten the T-Nuts (HA) only until the Rubber Washers (HE) begin to bulge.**

If you have Backboard Brackets that come with a U-Bolt, use Option 1 and the U-Bolt provided with the Brackets. If the Backboard Brackets do not have a U-Bolt, use Option 2 instead. Any Lifetime® Pole unit or Mounting Bracket unit will have the necessary support to follow Options 1 and 2.



**Required For This Page:**

1/2" Wrenches

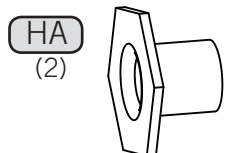
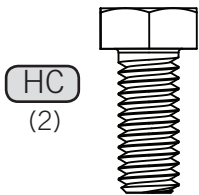


HD9120

**HJ** (1)



(Not actual size)

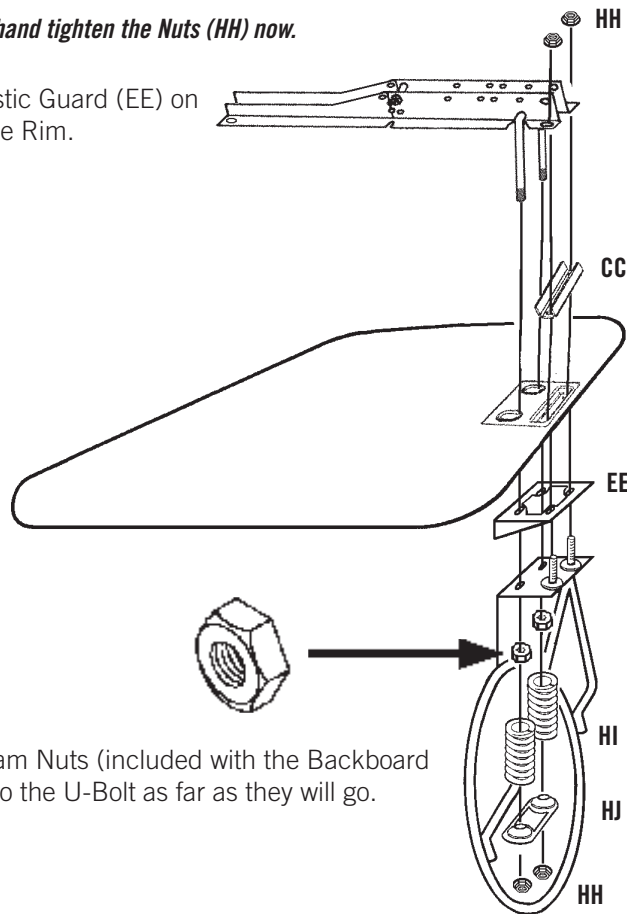


**OPTION 1**

Option 1 is for installation involving Backboard Brackets and a U-Bolt. Assemble the U-Bolt to the Brackets according to the instructions provided with the Brackets.

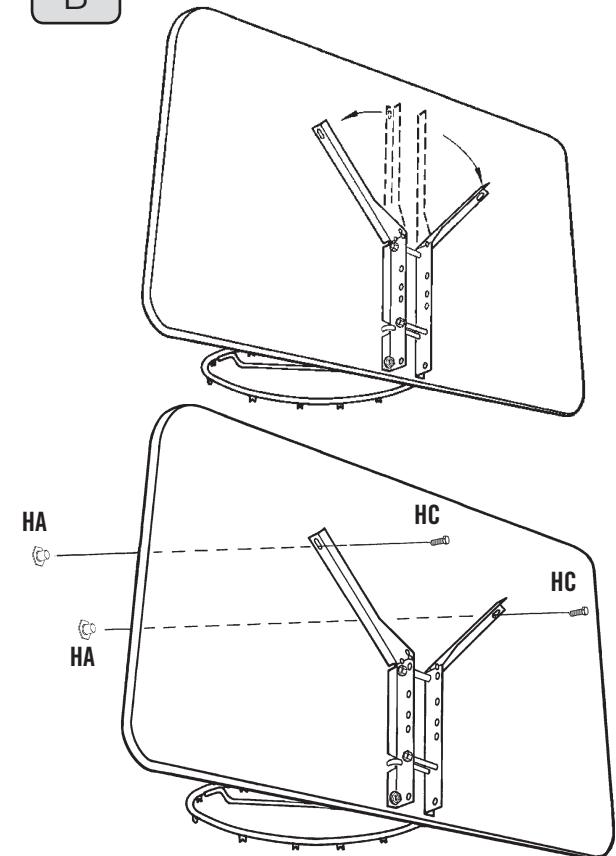
**A** *Only hand tighten the Nuts (HH) now.*

Place the Plastic Guard (EE) on the back of the Rim.



Tighten the Jam Nuts (included with the Backboard Brackets) onto the U-Bolt as far as they will go.

**B** *Completely tighten all hardware now.*



**Required For This Page:**

1/2" Wrenches



HD9120



HJ

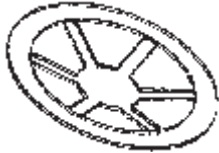
(1)

(Not actual size)

HG (2)



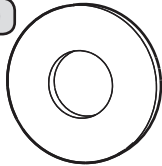
HB (2)



HH (4)



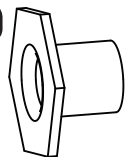
HD (2)



HC (2)



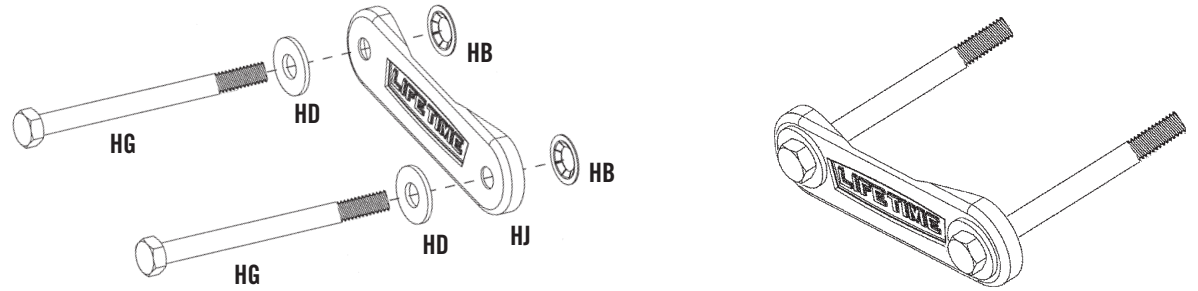
HA (2)



**OPTION 2**

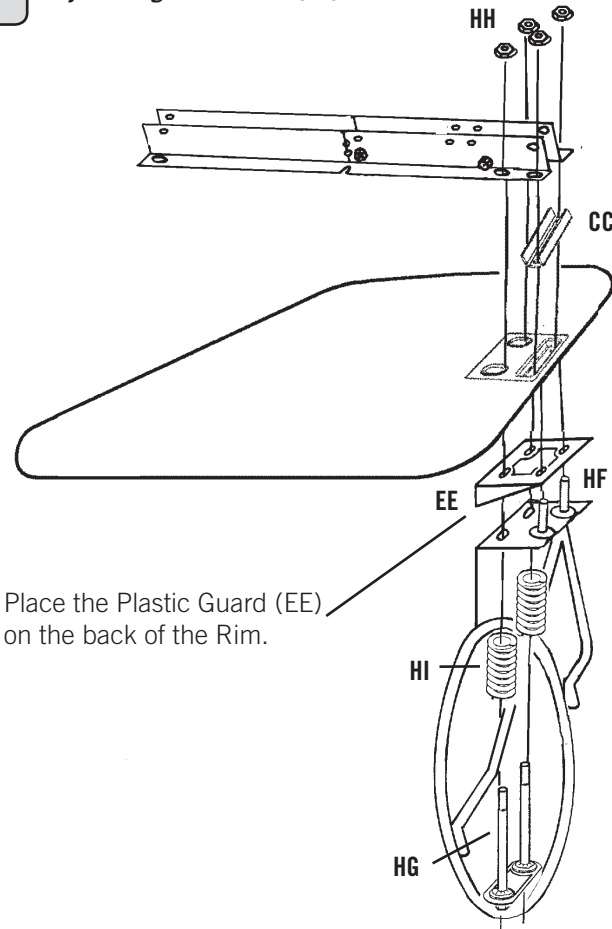
Option 2 is for installation with Backboard Brackets but without a U-Bolt.

**A**



**B**

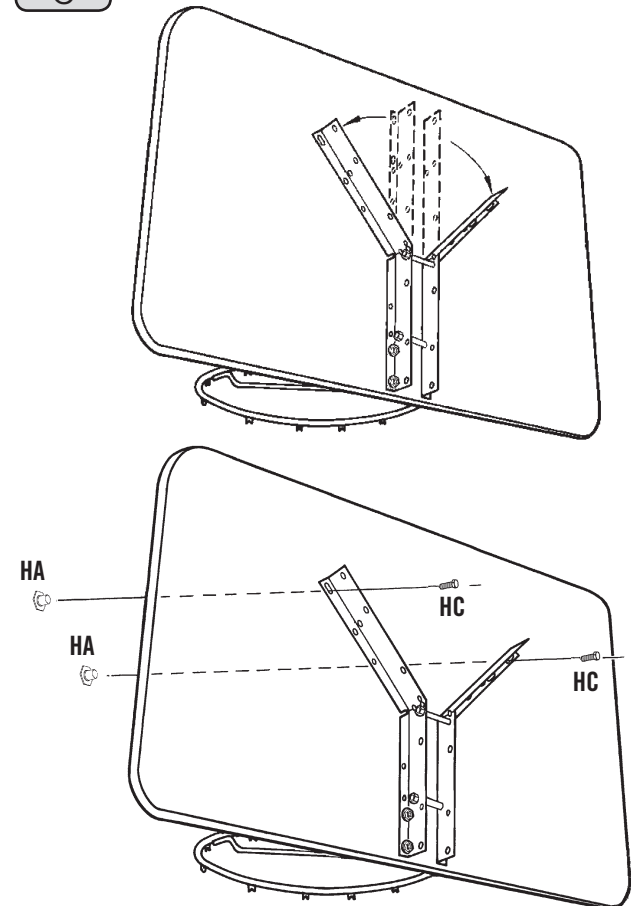
Only hand tighten the Nuts (HH) now.



Place the Plastic Guard (EE) on the back of the Rim.

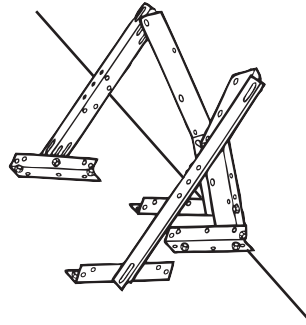
**C**

Completely tighten all hardware now.

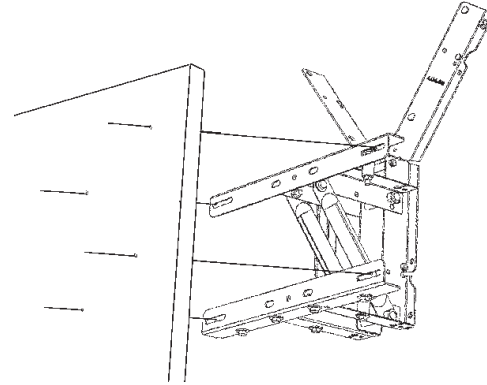


**ROOF MOUNT, WALL MOUNT, EXISTING POLE MOUNT**

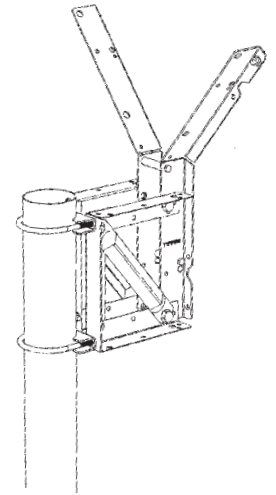
If mounting the Backboard to a roof mount, wall mount or existing pole mount that does not have an extension provided, you must use a Mounting Bracket Kit designed for this purpose. Lifetime Products, Inc.® offers a Universal Extension Bracket, Model #9594, through our Customer Service Department. Figures A, B and C show the Backboard and #9594 mounted to a roof mount, a wall mount and an existing pole mount. Please see below for ordering information.



**FIGURE A, ROOF MOUNT**



**FIGURE B, WALL MOUNT**



**FIGURE C, EXISTING POLE MOUNT**

**ACCESSORIES AVAILABLE FOR MORE BASKETBALL FUN!**

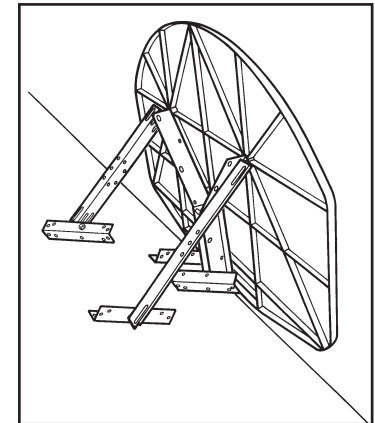
**PRODUCT DESCRIPTION**

**MODEL #**

Universal Extension Bracket	9594
Intermediate Size Basketball	594201

**Universal Extension Bracket #9594**

Ideal for mounting Backboard and Rim sets to a pole, wall or roof. (Backboard and Rim not included.)



Call the Customer Service Department at the number on Page One for prices and shipping costs.

To place orders, use a Master Card or Visa and call our Customer Service Department or send check or money order to:

**LIFETIME PRODUCTS, INC.**  
**P.O. BOX 160010**  
**BLDG. D-11, FREEPORT CENTER**  
**CLEARFIELD, UT 84016-0010**

# LIFETIME BASKETBALL EQUIPMENT 5-YEAR LIMITED FACTORY WARRANTY

THE MANUFACTURER RESERVES THE RIGHT TO MAKE SUBSTITUTIONS TO WARRANTY CLAIMS IF PARTS ARE UNAVAILABLE OR OBSOLETE.

1. Lifetime basketball systems are warranted to the original purchaser to be free from defects in material or workmanship for a period of five years from the date of original retail purchase. The word “defects” is defined as imperfections that impair the use of the product. Defects resulting from misuse, abuse or negligence will void this warranty. This warranty does not cover defects due to improper installation, alteration or accident. This warranty does not cover damage caused by vandalism, rusting, “acts of nature” or any other event beyond the control of the manufacturer.
2. This warranty is nontransferable and is expressly limited to the repair or replacement of defective basketball equipment. If the equipment is defective within the terms of this warranty, Lifetime Products, Inc. will repair or replace defective parts at no cost to the purchaser. Shipping charges to and from the factory are not covered and are the responsibility of the purchaser. Labor charges and related expenses for removal, installation or replacement of the basketball system or its components are not covered under this warranty.
3. This warranty does not cover scratching or scuffing of the product that may result from normal usage. In addition, defects resulting from intentional damage, negligence, unreasonable use or hanging from the net or rim will void this warranty.
4. Liability for incidental or consequential damages is excluded to the extent permitted by law. While every attempt is made to embody the highest degree of safety in all equipment, freedom from injury cannot be guaranteed. The user assumes all risk of injury resulting from the use of this product. All merchandise is sold on this condition, and no representative of the company may waive or change this policy.
5. This product is not intended for institutional or commercial use; Lifetime Products, Inc. does not assume any liability for such use. Institutional or commercial use will void the warranty.
6. This warranty is expressly in lieu of all other warranties, expressed or implied, including warranties of merchantability or fitness for use. Neither Lifetime Products, Inc., nor any representative assumes any other liability in connection with this product.



**ALL WARRANTY CLAIMS MUST BE ACCOMPANIED BY A SALES RECEIPT.  
REPORT PRODUCT DEFECTS IN WRITING TO:**

Lifetime Products, Inc., PO Box 160010 Clearfield, UT 84016-0010  
or call (800) 225-3865 M-F 7 a.m. to 5 p.m. MST.

Please include your dated sales receipt and photographs of damaged parts.

**To Register Your Product, Visit Our Website at [www.lifetime.com](http://www.lifetime.com)**