



www.lifetime.com

****U.S. and Canada customers ONLY****
IF ASSISTANCE IS NEEDED,

DO NOT CONTACT THE STORE!!!

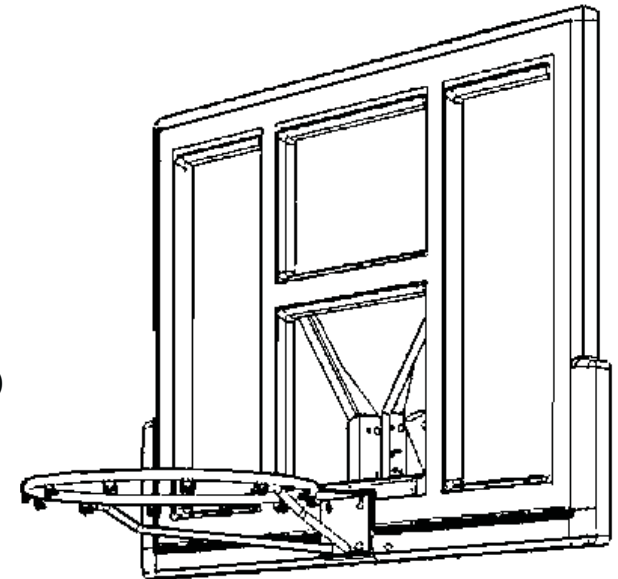
CALL OUR CUSTOMER SERVICE DEPARTMENT at **1 (800) 225-3865**

HOURS: 7:00 a.m. to 5:00 p.m. Monday through Friday (Mountain Standard Time)

****For customers outside the U.S. or Canada, please contact the store for assistance.****

WORLD CLASS BASKETBALL AND RIM COMBO SET

MODEL #73621



WARNING

To ensure your safety, do not attempt to assemble this system without reading and following **all** instructions carefully. Identify and inventory the parts using the Parts List. Failure to comply with any of the warnings in these instructions may result in serious personal injuries such as cuts, broken bones, nerve damage, paralysis, brain injury, or death. Failure to comply may also result in property damage. Please heed all warnings and cautions.

ASSEMBLY INSTRUCTIONS AND
OWNER'S MANUAL

****A MINIMUM OF TWO ADULTS ARE
REQUIRED FOR ASSEMBLY****

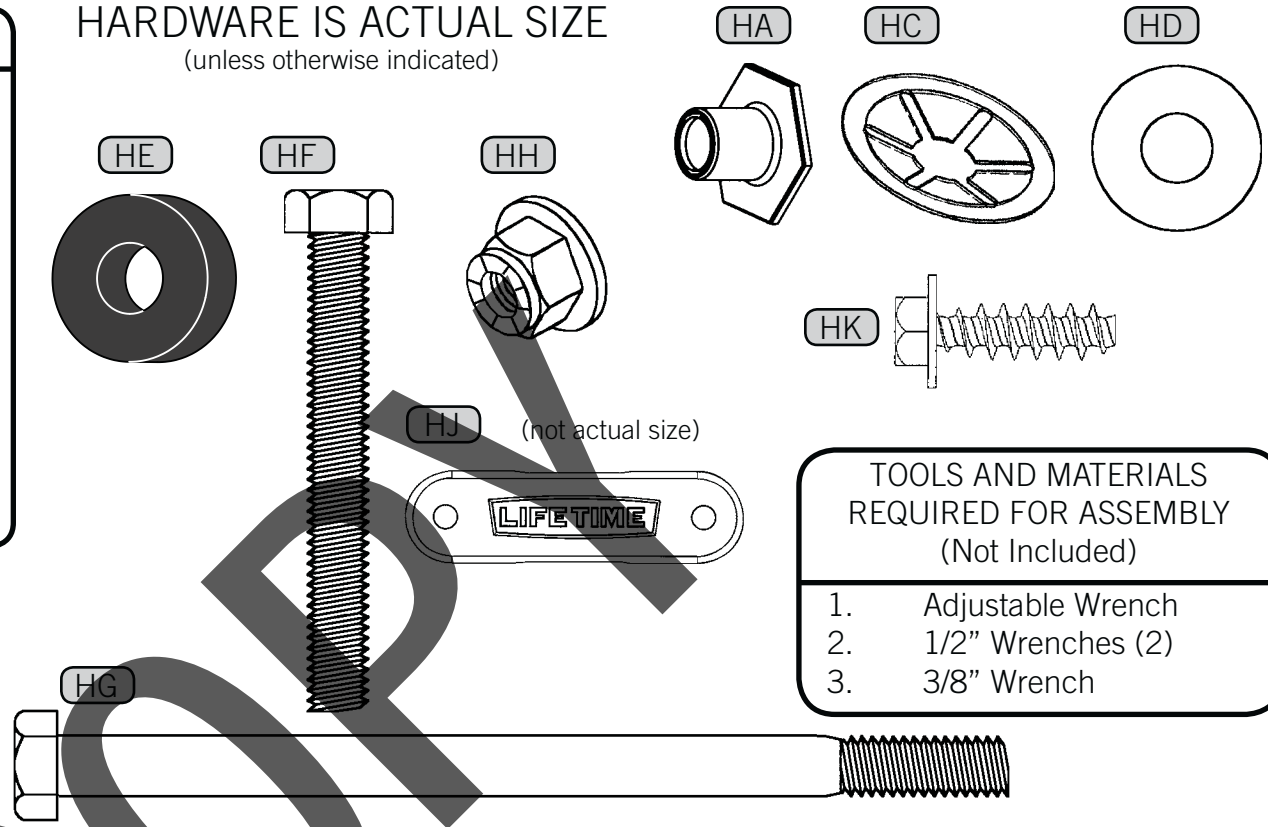
Save this instruction in the event that the manufacturer has to be contacted for replacement parts.

PARTS LIST

ID	Part #	Description	Qty	✓
AA	DD00200	Net	1	<input type="checkbox"/>
BB	ZJ04299	Backboard	1	<input type="checkbox"/>
CC	AM01500	Rim Support Bracket	1	<input type="checkbox"/>
DD	825608	Rim	1	<input type="checkbox"/>
HJ	804033	Spring Retainer Plate	1	<input type="checkbox"/>
Hardware (HH04900E)				
HA	300066	5/16" Hex T-Nut	2	<input type="checkbox"/>
HC	300114	5/16" Push Nut	2	<input type="checkbox"/>
HD	302014	5/16" Flat Washer	4	<input type="checkbox"/>
HE	302056	Rubber Washer	2	<input type="checkbox"/>
HF	302060	5/16" x 2 1/2" Tap Bolt	2	<input type="checkbox"/>
HG	302061	5/16" x 5" Hex Bolt	2	<input type="checkbox"/>
HH	302090	5/16" Nylock Flange Nut	4	<input type="checkbox"/>
HI	502060	Compression Springs	2	<input type="checkbox"/>
HK	BS00800	5/16" x 1" Screw	2	<input type="checkbox"/>

HARDWARE IS ACTUAL SIZE

(unless otherwise indicated)



TOOLS AND MATERIALS REQUIRED FOR ASSEMBLY (Not Included)

1. Adjustable Wrench
2. 1/2" Wrenches (2)
3. 3/8" Wrench

1. The Backboard can be mounted to any Lifetime Products® brand pole or most other commercially available poles. If using other than a Lifetime Products® pole, the Mounting Bracket design must provide adequate support behind the Rim mounting holes as well as the upper Backboard mounting holes. If adequate support is not provided, the Backboard may be damaged and the warranty will be void. Lifetime Products, Inc.® offers a pole system with a height adjusting mechanism that can be used to safely mount this Backboard. Please call Customer Service at the number on Page One for more information.
2. If using an existing pole system that **does not** include Extension Arms, or if a pole system is not being used, see Page 6.

STOP!

BEFORE BEGINNING ASSEMBLY

STOP!

- A. Identify and inventory all parts using the checklist boxes on the parts list. If any parts are missing, call our Customer Service Department.
- B. Test fit all Bolts by inserting them into their respective holes. If necessary, carefully scrape away any excess powder coating buildup from inside the holes. Do not scrape away all of the powder coating. Bare metal may rust.

SAFETY INSTRUCTIONS

FAILURE TO FOLLOW THESE WARNINGS MAY RESULT IN SERIOUS INJURY OR PROPERTY DAMAGE AND WILL VOID WARRANTY.

Owner must ensure that all players know and follow these rules for safe operation of the system.

To ensure safety, do not attempt to assemble this system without following the instructions carefully. Check entire box and inside all packing material for parts and/or additional instruction material. Before beginning assembly, read the instructions and identify parts using the hardware identifier and parts list in this document. Proper and complete assembly, use and supervision are essential for proper orientation and to reduce the risk of accident or injury. A high probability of serious injury exists if this system is not installed, maintained, and operated properly.

- If using a ladder during assembly, use extreme caution.
- Two capable adults are recommended for this operation.
- Minimum operational height is 7'6" (2.23m) to the rim.

Most injuries are caused by misuse and/or not following instructions. Use caution when using this system.

Register your product online at www.lifetime.com.

At Lifetime, we are committed to providing innovative and quality products. While registering, you will have the opportunity to give us your feedback. Your input is valuable to us.

You can also opt-in to receive new product notifications or promotions.

In the unlikely event of a product recall or safety modification, your registration provides the information we need to notify you directly.

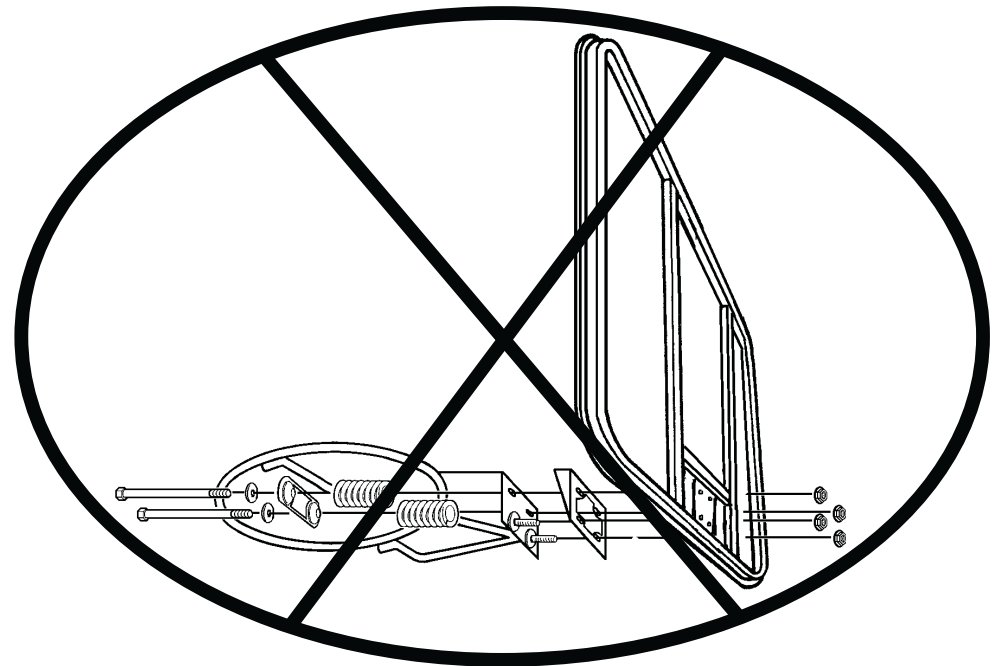
Registration is fast, easy, and completely voluntary.

Maintaining your privacy is our long-standing policy at Lifetime. And you can rest assured that Lifetime will not sell or provide your personal data to other third parties, or allow them to use your personal data for their own purposes.

We invite you to read our privacy policy at www.lifetime.com

REGISTER today!

ATTENTION: This Backboard is *not* designed for custom installations. The Backboard is designed for use with a Lifetime Products® Pole Mounting Unit or Universal Mounting Bracket. If a Pole or Mounting Bracket is being used, mount the Backboard and Rim using the hardware and instructions included with the Pole system or Mounting kit. Depending on which mounting method is used, either Option 1 or 2 will be followed according to indications on the next page. The Pole or Mounting Bracket will include a set of Backboard Brackets. *Note: A Universal Mounting Bracket will allow you to install the Backboard to a wall, roof, or 3 1/2" Pole.*



NOTE: Do not mount the Rim directly to the Backboard. The strike plate on the Backboard is not designed to hold the weight of the Rim, and will not be able to support it by itself. If you need to mount the Rim to the Backboard without using a Pole system or Universal Bracket system, you must place a support plate behind the Backboard. Failure to use a support plate will result in damage to the Backboard.



WARNING



The Rim and Backboard Combo kit must be mounted and supported properly. Injury or damage will occur if sufficient Rim support is not provided.

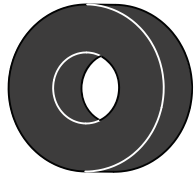
Required for This Page:

1/2" Wrenches

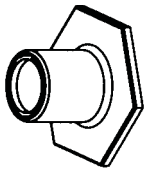


HH04900E

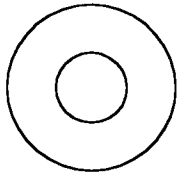
HE (2)



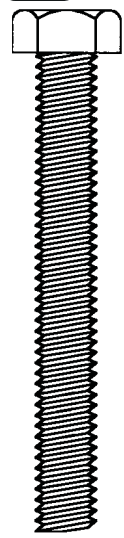
HA (2)



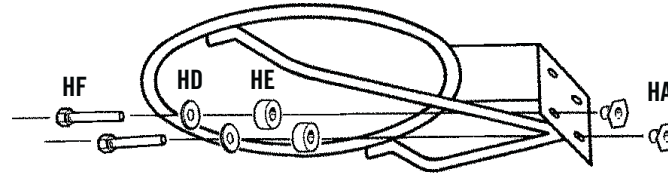
HD (2)



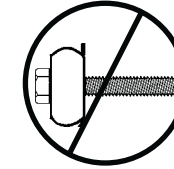
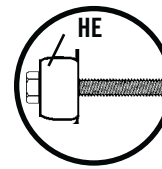
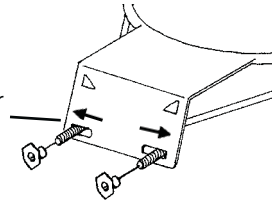
HF (2)



Note: This step needs to be completed no matter which Option is used.

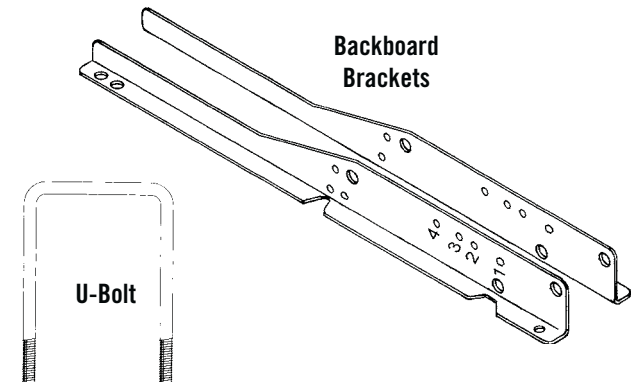
STEP 1

The Tap Bolts (HF) should be at the outer edge of the holes.




Tighten the T-Nuts (HA) only until the Rubber Washers (HE) begin to bulge.

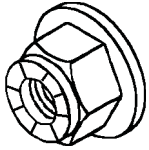
If you have Backboard Brackets that come with a U-Bolt, use Option 1 and the U-Bolt provided with the Brackets. If the Backboard Brackets do not have a U-Bolt, use Option 2. Any Lifetime® Pole unit or Mounting Bracket unit will have the necessary support to follow Options 1.



Required for This Page:

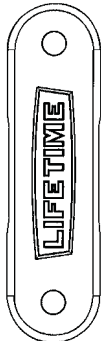
1/2" Wrenches

 HH04900E

HH (4)



HJ

(1)



(not actual size)

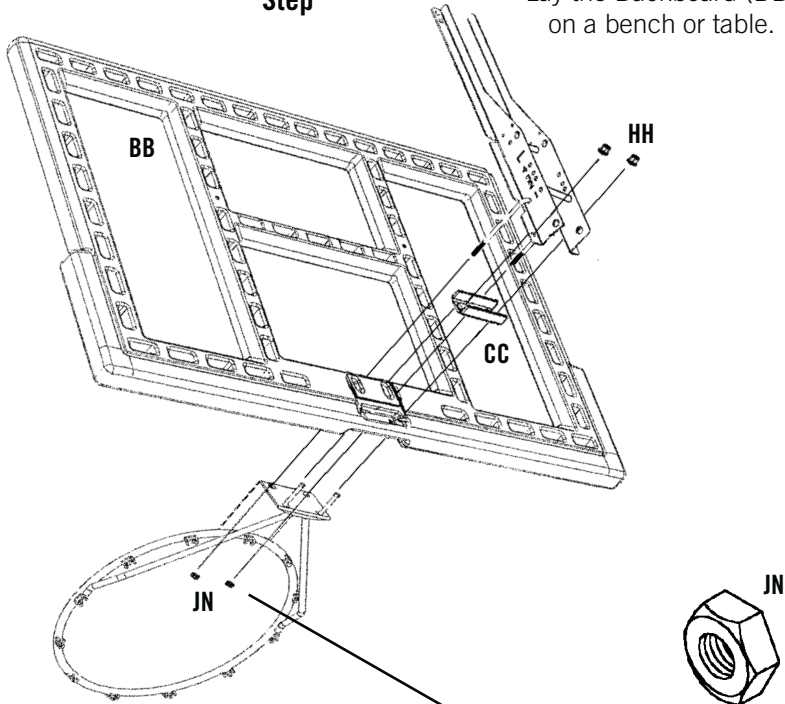
OPTION 1

THIS OPTION IS FOR USE WITH BACKBOARD BRACKETS AND A U-BOLT.
ASSEMBLE THE U-BOLT (PROVIDED WITH THE BACKBOARD BRACKETS) TO THE BACKBOARD BRACKETS ACCORDING TO THE INSTRUCTIONS PROVIDED IN THE POLE OR MOUNTING BRACKET UNIT.

A

****Two Adults Required for This Step****

Lay the Backboard (BB) on a bench or table.

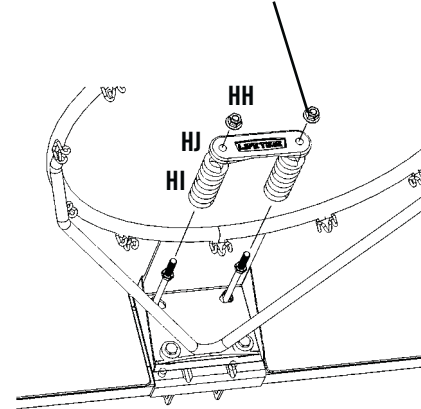


If the unit with the U-Bolt includes Jam Nuts (JN) (pictured actual size above) they are to be secured onto the ends of the U-Bolt here.

Only hand tighten the Nylock Flange Nuts (HH).

B

Tightening these Nuts later will adjust the Rim tension.



Only hand tighten the Nuts (HH).

If you have purchased this combo unit to be attached to a pole-only unit, refer to the pole-only unit for instructions on how to assemble and attach the combo unit to the pole.

NOTE: FAILURE TO PROVIDE ADEQUATE SUPPORT BEHIND THE BACKBOARD WILL VOID THE PRODUCT WARRANTY. FOLLOW ALL ASSEMBLY INSTRUCTIONS CAREFULLY.

Continue with Step 2 on Page 5.

Required for This Page:

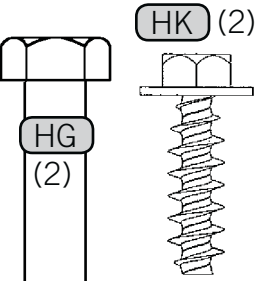
1/2" Wrenches



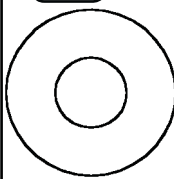
3/8" Wrench



HH04900E



HD (2)

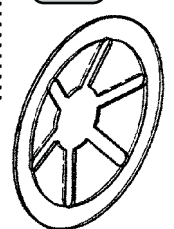


HJ (1)



(not actual size)

HC (2)

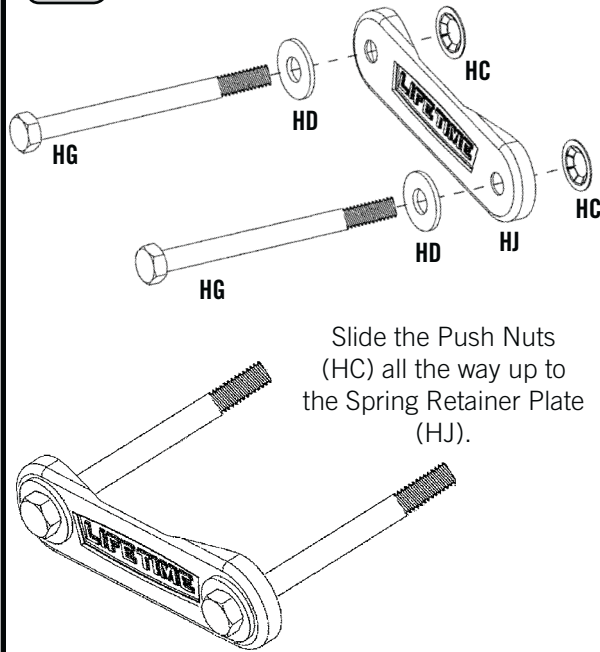


OPTION 2

THIS OPTION IS FOR ASSEMBLY WITH BACKBOARD BRACKETS BUT WITHOUT A U-BOLT.

****Two Adults Required for This Step****

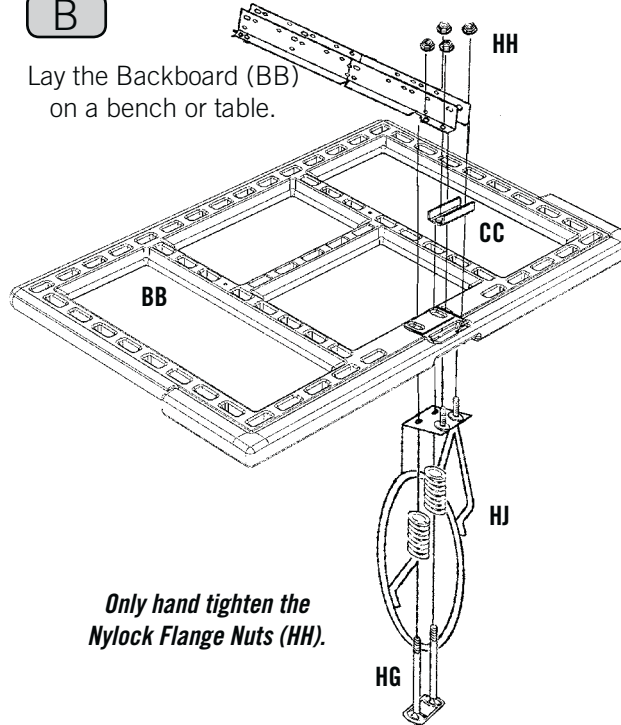
A



Slide the Push Nuts (HC) all the way up to the Spring Retainer Plate (HJ).

B

Lay the Backboard (BB) on a bench or table.



Only hand tighten the Nylock Flange Nuts (HH).

If you have purchased this combo unit to be attached to a pole-only unit, refer to the pole-only unit for instructions on how to assemble and attach the combo unit to the pole.

NOTE: FAILURE TO PROVIDE ADEQUATE SUPPORT BEHIND THE BACKBOARD WILL VOID THE PRODUCT WARRANTY. FOLLOW ALL ASSEMBLY INSTRUCTIONS CAREFULLY.

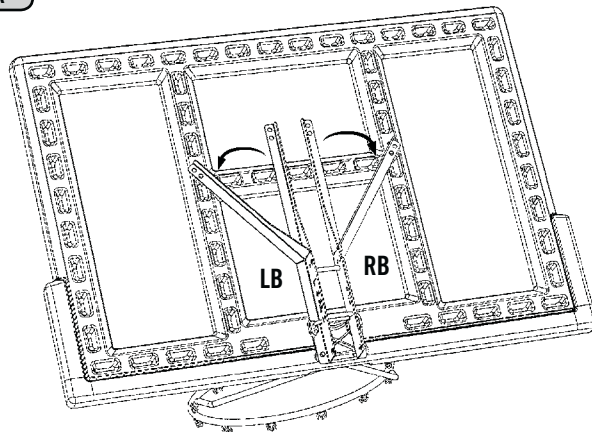
Continue with Step 2.

STEP 2

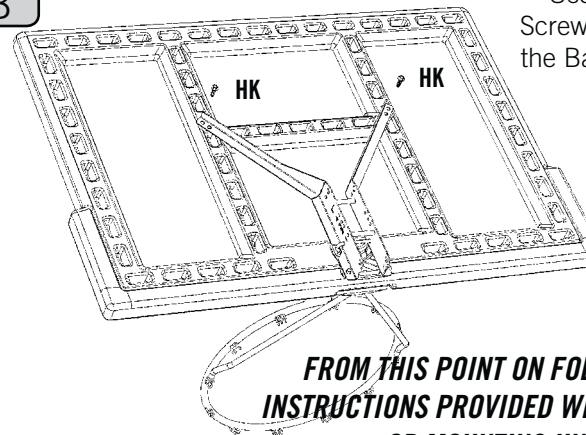
Note: The Backboard Brackets may look different than the ones shown below.

A

Bend the Backboard Brackets (LB & RB) out.



B



Use a 3/8" wrench to attach the Screws (HK) through the top holes in the Backboard Brackets and into the Backboard.

Completely tighten all Rim hardware.

Do not overtighten the Screws. Only tighten them a half-turn after the head of the Screw contacts the Brackets.

FROM THIS POINT ON FOLLOW THE INSTRUCTIONS PROVIDED WITH THE POLE OR MOUNTING UNIT.

ROOF MOUNT, WALL MOUNT, EXISTING POLE MOUNT

If mounting the Backboard to a roof mount, wall mount or existing pole mount that does not have an extension provided, you must use a Mounting Bracket Kit designed for this purpose. Lifetime Products, Inc.[®] offers a Universal Extension Bracket, Model #9594, through our Customer Service Department. Figures A, B and C show the Backboard and #9594 mounted to a roof mount, a wall mount and an existing pole mount. Please see below for ordering information.

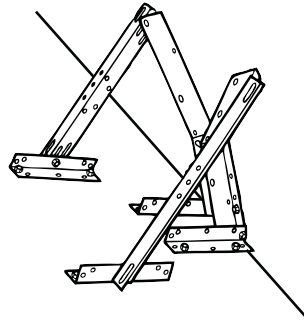


FIGURE A, ROOF MOUNT

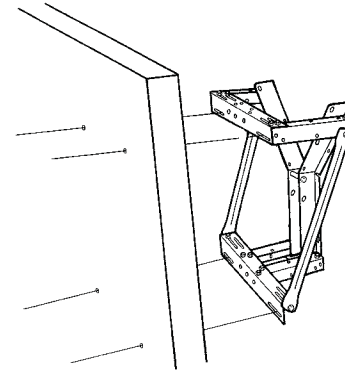


FIGURE B, WALL MOUNT

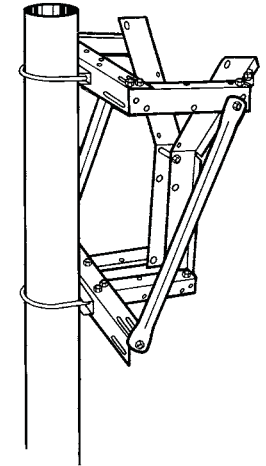


FIGURE C, EXISTING POLE MOUNT

ACCESSORIES AVAILABLE FOR MORE BASKETBALL FUN!

PRODUCT DESCRIPTION	MODEL #
Universal Extension Bracket	9594
Intermediate Size Basketball	594201

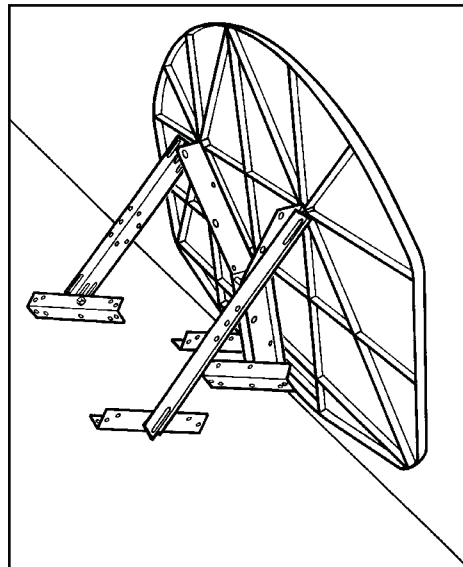
Call the Customer Service Department at the number on Page One for prices and shipping costs.

To place orders, use a Master Card or Visa and call our Customer Service Department or send check or money order to:

LIFETIME PRODUCTS, INC.
P.O. BOX 160010
BLDG. D-11, FREEPORT CENTER
CLEARFIELD, UT 84016-0010

Universal Extension Bracket #9594

Ideal for mounting Backboard and Rim sets to a pole, wall or roof. (Backboard and Rim not included.)



Only clean the Backboard with the approved cleaning materials listed below:

Windex¹
 Joy²
 Mr. Clean²
 Fantastik³
 Formula 409⁴

The use of other chemicals will void the warranty.

¹Registered Trademark of the Drackett Products Company.

²Registered Trademarks of Procter & Gamble.

³Registered Trademark of Texize, Division of Norton Norwich Products Inc.

⁴Registered Trademark of the Clorox Company.

LIFETIME BASKETBALL EQUIPMENT 5-YEAR LIMITED FACTORY WARRANTY

THE MANUFACTURER RESERVES THE RIGHT TO MAKE SUBSTITUTIONS TO WARRANTY CLAIMS IF PARTS ARE UNAVAILABLE OR OBSOLETE.

1. Lifetime basketball systems are warranted to the original purchaser to be free from defects in material or workmanship for a period of five years from the date of original retail purchase. The word “defects” is defined as imperfections that impair the use of the product. Defects resulting from misuse, abuse or negligence will void this warranty. This warranty does not cover defects due to improper installation, alteration or accident. This warranty does not cover damage caused by vandalism, rusting, “acts of nature” or any other event beyond the control of the manufacturer.
2. This warranty is nontransferable and is expressly limited to the repair or replacement of defective basketball equipment. If the equipment is defective within the terms of this warranty, Lifetime Products, Inc. will repair or replace defective parts at no cost to the purchaser. Shipping charges to and from the factory are not covered and are the responsibility of the purchaser. Labor charges and related expenses for removal, installation or replacement of the basketball system or its components are not covered under this warranty.
3. This warranty does not cover scratching or scuffing of the product that may result from normal usage. In addition, defects resulting from intentional damage, negligence, unreasonable use or hanging from the net or rim will void this warranty.
4. Liability for incidental or consequential damages is excluded to the extent permitted by law. While every attempt is made to embody the highest degree of safety in all equipment, freedom from injury cannot be guaranteed. The user assumes all risk of injury resulting from the use of this product. All merchandise is sold on this condition, and no representative of the company may waive or change this policy.
5. This product is not intended for institutional or commercial use; Lifetime Products, Inc. does not assume any liability for such use. Institutional or commercial use will void the warranty.
6. This warranty is expressly in lieu of all other warranties, expressed or implied, including warranties of merchantability or fitness for use. Neither Lifetime Products, Inc., nor any representative assumes any other liability in connection with this product.



**ALL WARRANTY CLAIMS MUST BE ACCOMPANIED BY A SALES RECEIPT.
REPORT PRODUCT DEFECTS IN WRITING TO:**

Lifetime Products, Inc., PO Box 160010 Clearfield, UT 84016-0010
or call (800) 225-3865 M-F 7 a.m. to 5 p.m. MST.

Please include your dated sales receipt and photographs of damaged parts.

To Register Your Product, Visit Our Website at www.lifetime.com