



VISIT THE LIFETIME WEB SITE:
WWW.LIFETIME.COM

Register your product online at www.lifetime.com.

At Lifetime, we are committed to providing innovative and quality products. While registering, you will have the opportunity to give us your feedback. Your input is valuable to us.

You can also opt-in to receive new product notifications or promotions.

In the unlikely event of a product recall or safety modification, your registration provides the information we need to notify you directly.

Registration is fast, easy, and completely voluntary.

Lifetime's Promise to You:

Maintaining your privacy is our long-standing policy at Lifetime. And you can rest assured that Lifetime will not sell or provide your personal data to other third parties, or allow them to use your personal data for their own purposes.

We invite you to read our privacy policy at www.lifetime.com

REGISTER today!

Save this instruction in the event that the manufacturer has to be contacted for replacement parts.

3.5" GROUND SLEEVE



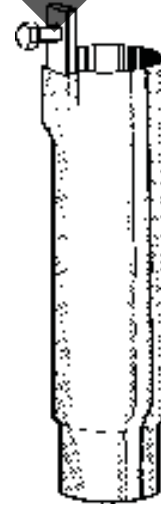
WARNING



To ensure your safety, do not attempt to assemble this system without reading and following all instructions carefully. Identify and inventory the parts using the Parts List. Failure to comply with any of the warnings in these instructions may result in serious personal injuries such as cuts, broken bones, nerve damage, paralysis, brain injury, or death. Failure to comply may also result in property damage. Please heed all warnings and cautions.

TOOLS AND MATERIALS REQUIRED FOR ASSEMBLY

- | | |
|-------------------------------|---------------------|
| 1. Concrete (Six 90-lb. bags) | 6. 9/16" Wrench |
| 2. Water Supply | 7. Funnel |
| 3. Wheelbarrow | 8. Pencil or Marker |
| 4. Shovel | 9. Tape Measure |
| 5. Carpenter's Level | |



MODEL #0023

ASSEMBLY INSTRUCTIONS AND OWNER'S MANUAL

****U.S. and Canada customers ONLY****

IF ASSISTANCE IS NEEDED,

DO NOT CONTACT THE STORE!!!

CALL OUR CUSTOMER SERVICE DEPARTMENT at **1 (800) 225-3865**

HOURS: 7:00 a.m. to 5:00 p.m. Monday through Friday (Mountain Standard Time)

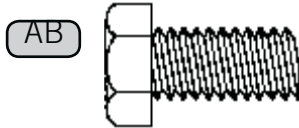
Call, or visit our Web site for Saturday hours

For customers outside the U.S. or Canada, please contact the store for assistance.

PARTS LIST

ID	Part #	Description	Qty	✓
AA	1018892	Ground Sleeve	1	<input type="checkbox"/>
Hardware (HD9039)				
AB	300111	3/8" x 3/4" Hex Bolt	1	<input type="checkbox"/>
AC	500058	Plastic Cap	2	<input type="checkbox"/>
AD	800051	Locking Tab	1	<input type="checkbox"/>

HARDWARE IS ACTUAL SIZE



STOP!

BEFORE BEGINNING ASSEMBLY

- If any parts are missing, call our Customer Service Department.
- Test fit all Bolts by inserting them into their respective holes. If necessary, carefully scrape away any excess powder coating buildup from inside the holes. Do not scrape away all of the powder coating. Bare metal may rust.



SAFETY INSTRUCTIONS



FAILURE TO FOLLOW THESE WARNINGS MAY RESULT IN SERIOUS INJURY OR PROPERTY DAMAGE AND WILL VOID WARRANTY.

Owner must ensure that all players know and follow these rules for safe operation of the system.

To ensure safety, do not attempt to assemble this system without following the instructions carefully. Check entire box and inside all packing material for parts and/or additional instruction material. Before beginning assembly, read the instructions and identify parts using the hardware identifier and parts list in this document. Proper and complete assembly, use and supervision are essential for proper orientation and to reduce the risk of accident or injury. A high probability of serious injury exists if this system is not installed, maintained, and operated properly.

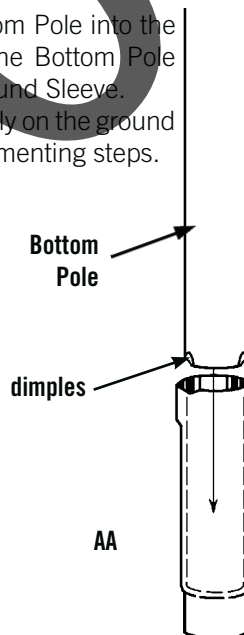
- If using a ladder during assembly, use extreme caution.
- Two capable adults are recommended for this operation.
- Assemble the pole sections properly (if applicable). Failure to do so could cause the pole sections to separate during play.
- Before digging, contact utility company to locate underground power cables, gas, and water lines. Ensure that there are no overhead power lines within 20 ft. (7m) radius of pole location.

Most injuries are caused by misuse and/or not following instructions. Use caution when using this system.

STEP 1

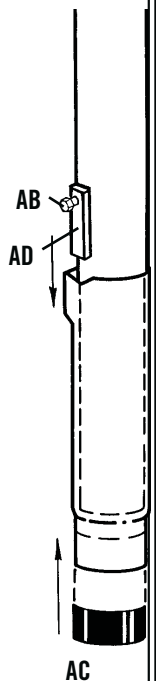
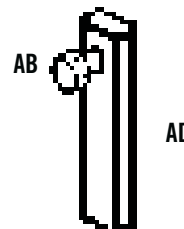
NOTE: This Ground Sleeve is for use with in-ground poles only. The Bottom Pole section is not included with this product. Use the Bottom Pole section from your purchased Lifetime® system.

- Insert the dimpled end of the Bottom Pole into the Ground Sleeve (AA). Make sure the Bottom Pole section fits completely into the Ground Sleeve.
- Tap the pole and ground sleeve lightly on the ground so they stay together during the cementing steps.



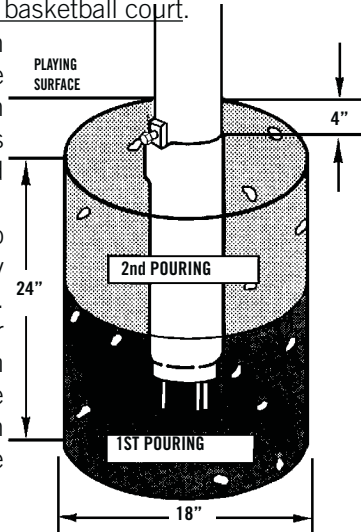
STEP 2

- Insert the 3/8" x 3/4" Hex Bolt (AB) into the hole of the Locking Tab (AD) and screw the Bolt in until the end of the Bolt is flush with the edge of the Tab.
- Push the Locking Tab assembly into the slot in the top of the Ground Sleeve as shown. Push the Locking Tab in as far as it will go.
- Tighten the Bolt just enough to hold the Bottom Pole section in position. **DO NOT OVERTIGHTEN.** The Bolt will be removed later in the installation.
- Place a Plastic Cap (AC) over the lower end of the Ground Sleeve to prevent cement from seeping in.



STEP 3

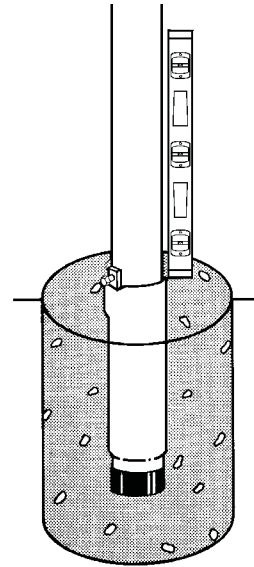
- Dig a round hole 24" deep and 18" in diameter.
- Mix all 6 bags of concrete, except 1/3 of a bag which will be used later to fill the inside of the Bottom Pole section.
- Fill the hole half full with concrete. Insert the Ground Sleeve and Bottom Pole section into the cement. The correct distance from the basketball court to the front of the pole is 4 inches. The top of the Ground Sleeve should be flush with the basketball court. The Hex Bolt and Locking Tab must face away from the basketball court.
- Finish filling the hole with concrete. Make sure the Ground Sleeve is flush with the basketball court and is not sunk into or positioned above the concrete.
- Form the concrete into a downward slope, away from the Ground Sleeve. This will allow any water buildup to flow away from the Ground Sleeve. Failure to do so may result in premature rusting of the Ground Sleeve.



STEP 4

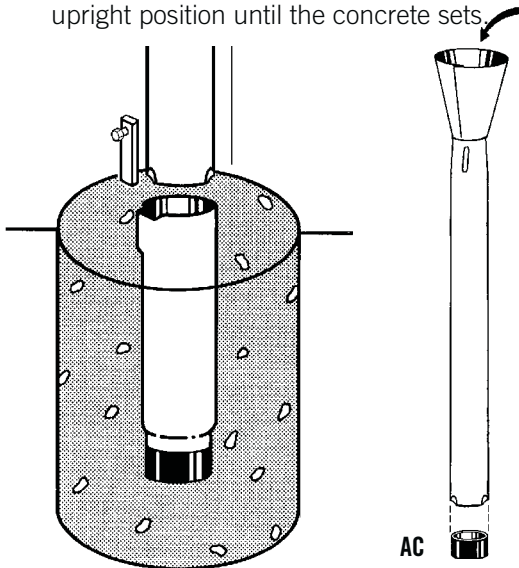
- Using a level, check the pole several times within the first hour to make sure all sides are vertical. Readjust the pole if necessary before the concrete begins to firm.
- Be sure the inner edges of the Ground Sleeve are free of concrete.

CAUTION: Allow at least four hours for the concrete to set up before continuing assembly.



STEP 5

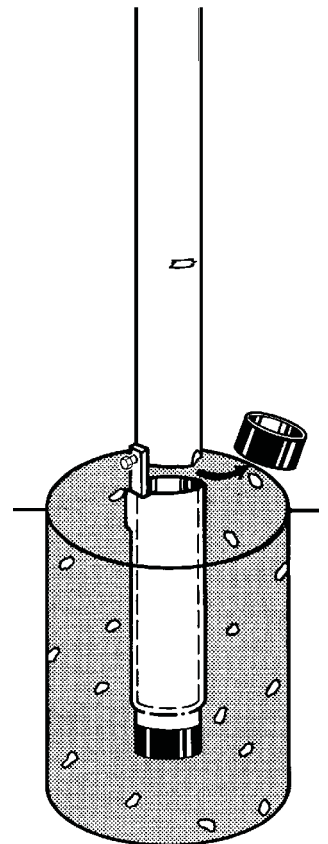
- Loosen the Bolt and remove the Locking Tab from the Ground Sleeve. Carefully remove the Bottom Pole section from the Ground Sleeve.
- Place the other Plastic Cap (AC) over the lower end of the Bottom Pole section.
- Mix the remaining 1/3 bag of concrete. Using a funnel, pour the concrete into the Bottom Pole section until it is just below the slot in the top of the pole. Leave the pole standing in an upright position until the concrete sets.



STEP 6

- Remove the Plastic Cap from the Bottom Pole section and discard.
- Measure 14 1/2" up from the bottom of the Bottom Pole section and make a mark on the Pole. Insert the Bottom Pole section into the Ground Sleeve, making sure that the 14 1/2" mark reaches the top edge of the Ground Sleeve. Refer to the manufacturer's instructions for pole alignment.
- Install the Locking Tab so the Bolt touches the rim of the Ground Sleeve.
- Tighten the Locking Bolt securely with an open end wrench to prevent the pole from rotating. Do not overtighten the Bolt or the Locking Tab may be damaged.

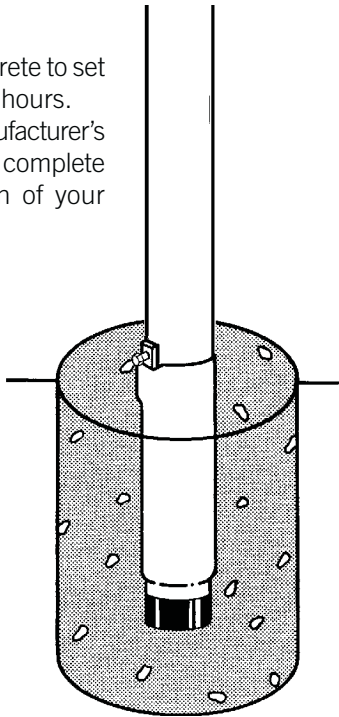
WARNING: The Bottom Pole section must be inserted 14 1/2" into the Ground Sleeve. The dimples on the Bottom Pole are for identification purposes only. If the Bottom Pole section does not fit, check the bottom of the Ground Sleeve for debris or concrete. Clean out the Ground Sleeve and reinstall the Bottom Pole section.



Continue with Step 7 on the next page.

STEP 7

- a. Allow the concrete to set for at least 72 hours.
- b. Follow the manufacturer's instructions to complete the installation of your system.



ACCESSORIES AVAILABLE FOR MORE BASKETBALL FUN!

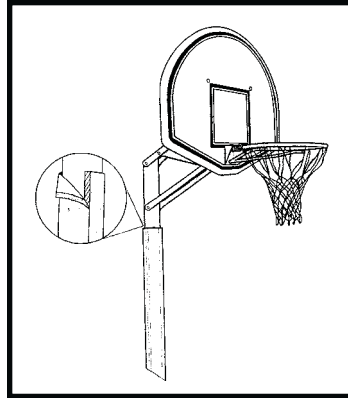
PRODUCT DESCRIPTION

Pole Pad

MODEL

0600

For Price and Shipping costs call our Customer Service Department.



TO PLACE ORDERS, USE A MASTER CARD OR VISA AND CALL OUR CUSTOMER SERVICE DEPARTMENT

POLE PAD

This heavy-duty foam pad is covered with tough vinyl. Protects players from impact with the pole.

LIFETIME BASKETBALL EQUIPMENT

5-YEAR LIMITED FACTORY WARRANTY

THE MANUFACTURER RESERVES THE RIGHT TO MAKE SUBSTITUTIONS TO WARRANTY CLAIMS IF PARTS ARE UNAVAILABLE OR OBSOLETE.

1. Lifetime basketball systems are warranted to the original purchaser to be free from defects in material or workmanship for a period of five years from the date of original retail purchase. The word "defects" is defined as imperfections that impair the use of the product. Defects resulting from misuse, abuse or negligence will void this warranty. This warranty does not cover defects due to improper installation, alteration or accident. This warranty does not cover damage caused by vandalism, rusting, "acts of nature" or any other event beyond the control of the manufacturer.

2. This warranty is nontransferable and is expressly limited to the repair or replacement of defective basketball equipment. If the equipment is defective within the terms of this warranty, Lifetime Products, Inc. will repair or replace defective parts at no cost to the purchaser. Shipping charges to and from the factory are not covered and are the responsibility of the purchaser. Labor charges and related expenses for removal, installation or replacement of the basketball system or its components are not covered under this warranty.

3. This warranty does not cover scratching or scuffing of the product that may result from normal usage. In addition, defects resulting from intentional damage, negligence, unreasonable use or hanging from the net or rim will void this warranty.

4. Liability for incidental or consequential damages is excluded to the extent permitted by law. While every attempt is made to embody the highest degree of safety in all equipment, freedom from injury cannot be guaranteed. The user assumes all risk of injury resulting from the use of this product. All merchandise is sold on this condition, and no representative of the company may waive or change this policy.

5. This product is not intended for institutional or commercial use; Lifetime Products, Inc. does not assume any liability for such use. Institutional or commercial use will void the warranty.

6. This warranty is expressly in lieu of all other warranties, expressed or implied, including warranties of merchantability or fitness for use. Neither Lifetime Products, Inc., nor any representative assumes any other liability in connection with this product.

ALL WARRANTY CLAIMS MUST BE ACCOMPANIED BY A SALES RECEIPT.

REPORT PRODUCT DEFECTS IN WRITING TO:

Lifetime Products, Inc., PO Box 160010 Clearfield, UT 84016-0010 or
call (800) 225-3865 M-F 8 a.m. to 5 p.m. MST.

Please include your dated sales receipt and photographs of damaged parts.

To register the product, visit our Web site at www.lifetime.com