

READY  
TO  
ASSEMBLE

# Portable Presentation Lectern MODEL #70

## FEATURES

- The 70 Lectern Stand is a reliable and inexpensive option with a practical application in virtually any public speaking venue
- Features a 16-gauge steel frame which adjusts from 30-44" high to suit any speaker's stature
- A generous 16"x20" reading surface for presentation materials
- Features protective T-mold edging and a helpful paper/book stop
- Ships Ready to Assemble, UPS

  
**CLICK HERE TO VIEW  
MARKETING VIDEO**

THE MOST UNPRECEDENTED WARRANTY ON ALL PRODUCTS  
**10**  
YEARS

  
**non  
sound**



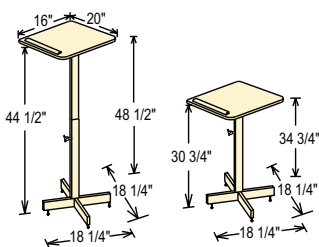
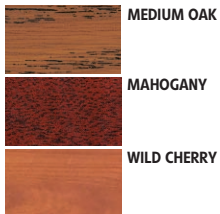
← SHOWN IN  
WILD CHERRY

↑ FEATURES A  
GENEROUS 16 X 20  
READING SURFACE

↑ CONTINUOUS  
ADJUSTABLE  
HEIGHT FROM  
30" - 44"

↑ AVAILABLE  
IN WILD CHERRY,  
MOHAGANY, AND  
MEDIUM OAK

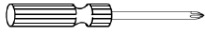

## COLOR OPTIONS



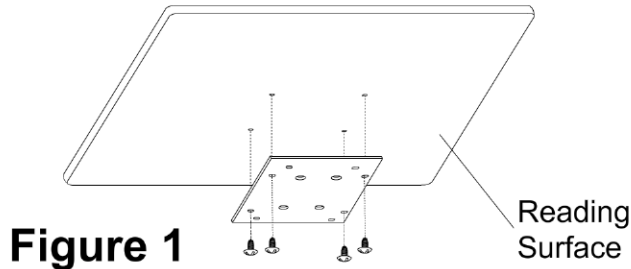
## 70 TECHNICAL SPECIFICATIONS

STEEL	1" x 2" - 16 Gauge
PAINT	3 mil powdercoat
KNOB	Plastic with Nylon Stud
GLIDES	4 Adjustable
EDGE	5/8" PVC T-Moulding
WEIGHT	15 lbs.

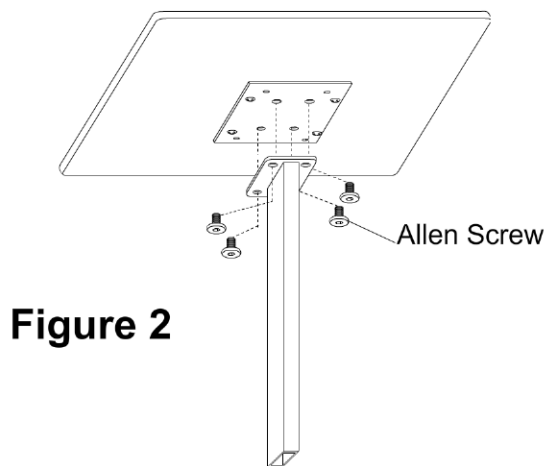
## Tools Required

Philips screw driver   
 Allen Wrench (Included) 

**Step 1:** Lay reading surface upside down on a flat area. Attach plate to bottom side of reading surface using four screws. See **Figure 1**.

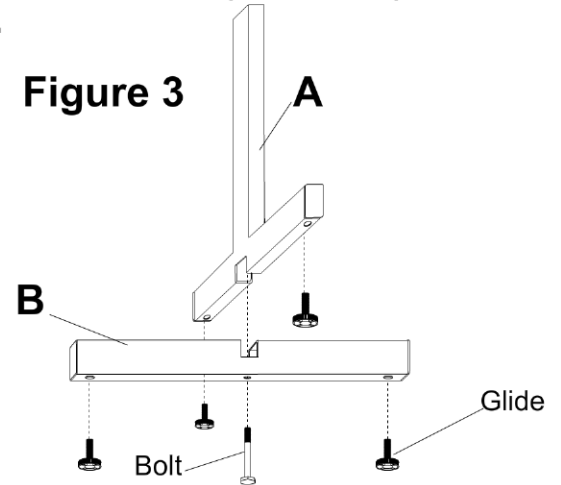


**Step 2:** Attach inner tube with slant pointing toward front, using four Allen screws, to the plate under reading surface. See **Figure 2**.

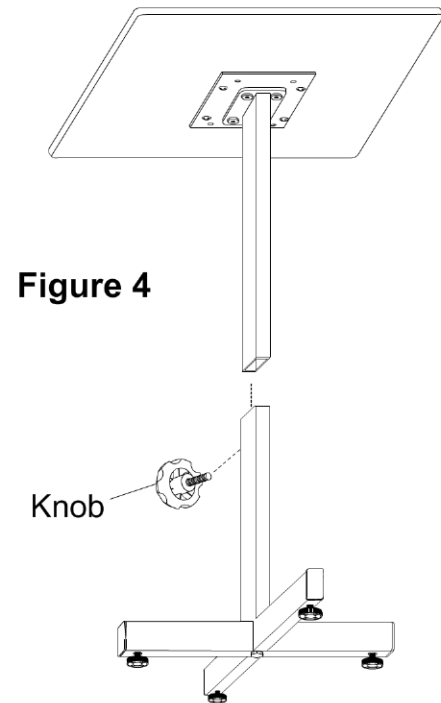


## Assembly Instructions

**Step 3:** Attach outer tube part A to part B and secure using bolt. Screw four glides into holes located in the bottom of part A and part B. See **Figure 3**.



**Step 4:** Insert inner tube into outer tube. Screw Knob into insert located on the front of the outer tube and tighten well. See **Figure 4**.



**Height Adjustment:** To adjust the height of the unit hold the inner tube with one hand and loosen the knob with the other hand. Set height at desired level and tighten knob.