



PLAYGROUND

MODEL N° 90421

OWNER'S MANUAL

COPY

Keep this Product ID Number and use when contacting Customer Service:

REGISTER YOUR LIFETIME PRODUCT TODAY!

REGISTER YOUR PRODUCT ONLINE AT WWW.LIFETIME.COM

At Lifetime, we are committed to providing innovative and quality products. While registering, you will have the opportunity to give us your feedback. Your input is valuable to us.

- You can also opt in to receive new product notifications or promotions.
- In the unlikely event of a product recall or safety modification, your registration provides the information we need to notify you directly.
- Registration is fast, easy, and completely voluntary.

LIFETIME'S PROMISE TO YOU:

Maintaining your privacy is our long-standing policy at Lifetime. And you can rest assured that Lifetime will not sell or provide your personal data to other third parties, or allow them to use your personal data for their own purposes.

We invite you to read our privacy policy at www.lifetime.com

REGISTER today!

Save this owner's manual for future reference and in the event that the manufacturer has to be contacted.

****U.S. and Canada customers ONLY****

IF ASSISTANCE IS NEEDED,

DO NOT CONTACT THE STORE!

**CALL OUR CUSTOMER SERVICE DEPARTMENT at
1 (800) 225-3865**

HOURS: 7:00 a.m. to 5:00 p.m. Monday through Friday (Mountain Standard Time)

Call or visit our Web site for Saturday hours

Lifetime Products, Inc.

PO Box 160010 • Freeport Center, Bldg. D-11 Clearfield, Utah 84016-0010

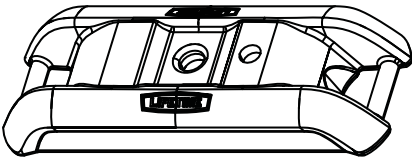
For customers outside the U.S. or Canada, please contact the store for assistance.

PARTS LIST

ID	Item Description	Qty	✓	ID	Item Description	Qty	✓
DKL	Carrying Case	1	<input type="checkbox"/>	DKQ	Accessory Bag	1	<input type="checkbox"/>
DKM	Base	2	<input type="checkbox"/>	DKR	Paddle	4	<input type="checkbox"/>
AEF	Base Plug	2	<input type="checkbox"/>	DKS	Youth Tennis Ball	2	<input type="checkbox"/>
DKN	Support Tube	2	<input type="checkbox"/>	DKT	Pickle Ball	2	<input type="checkbox"/>
DKO	Net Pole	2	<input type="checkbox"/>	DKU	Birdie	2	<input type="checkbox"/>
DKP	Net	1	<input type="checkbox"/>	DKV	Birdie Sleeve	1	<input type="checkbox"/>

PARTS IDENTIFIER

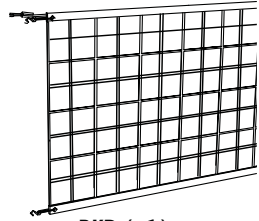
Parts shown at 10% of Actual Size



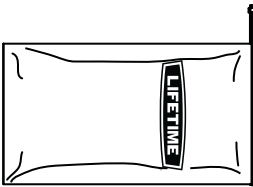
DKM (x2)
Base



AEF (x2)
Base Plug



DKP (x1)
Net (not to scale)



DKQ (x1)
Accessory Bag



DKU (x2)
Birdie



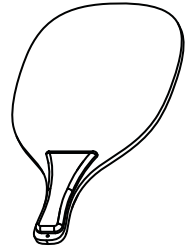
DKT (x2)
Pickle Ball



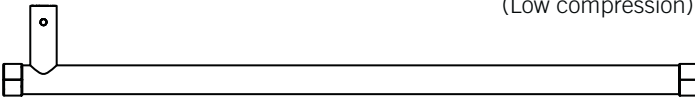
DKV (x1)
Birdie Sleeve



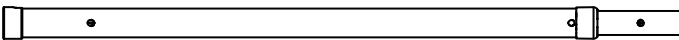
DKS (x2)
Youth Tennis Ball
(Low compression)



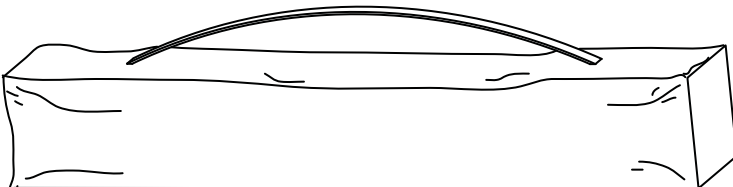
DKR (x4)
Paddle



DKN (x2)
Support Tube



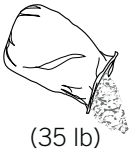
DKO (x2)
Net Pole



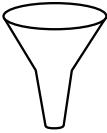
DKL (x1)
Carrying Case



TOOLS AND HARDWARE REQUIRED FOR THIS PAGE



(35 lb)



(1)

or



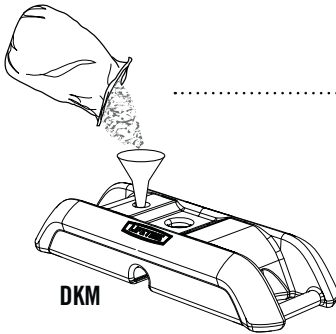
(1)

SEC

1.1

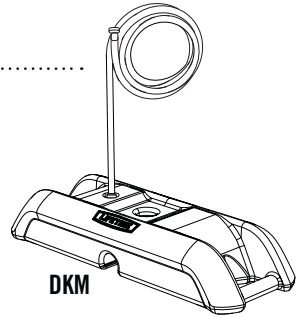
OPTION A: Fill the **Base (DKM)** with sand.

OPTION B: Fill the **Base (DKM)** with water. Add a tablespoon of chlorine bleach.



DKM

or



DKM

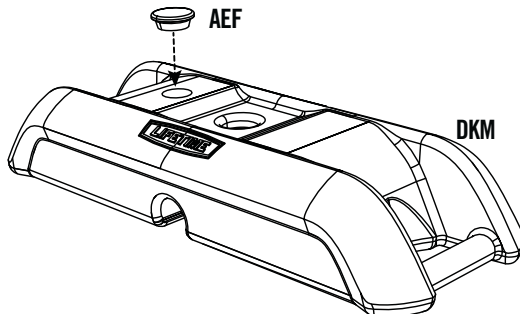
!

Note: Filling the bases with sand is recommended. Sand will provide increased performance of the system by increasing stability and allowing for less sag in the net. Sand also reduces the chance of leakage during storage or transport. If the base is filled with water, make sure that it remains full of water during use. Performance will be significantly reduced if water has leaked from the system.

SEC

1.2

Insert the **Base Plug (AEF)** into the **Base (DKM)** as shown.





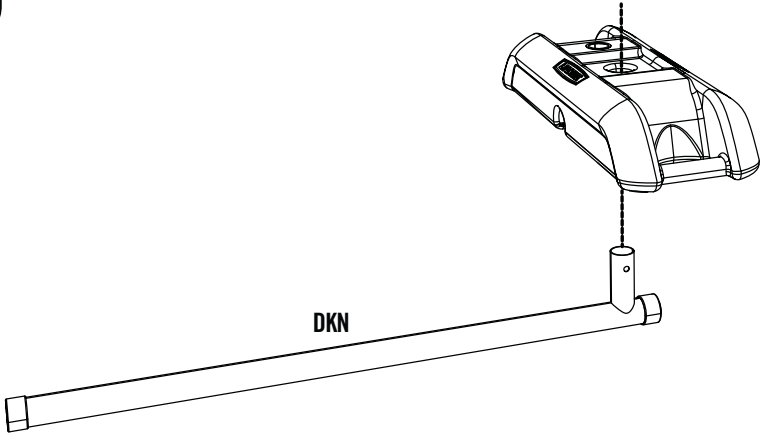
TOOLS AND HARDWARE REQUIRED FOR THIS PAGE

NO TOOLS OR HARDWARE REQUIRED FOR THIS PAGE

SEC

1.3

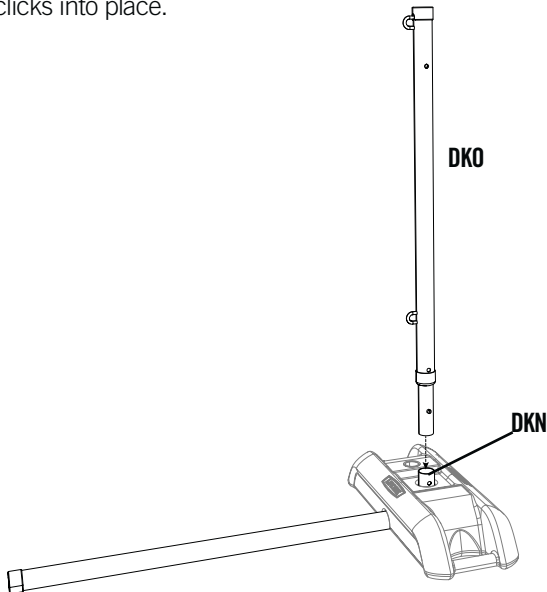
Slide the Base onto **Support Tube (DKN)** as shown.



SEC

1.4

Insert the **Net Pole (DKO)** into the **Support Tube (DKN)**. Make sure the Push Button clicks into place.



Note: Repeat steps 1.1-1.4 to assemble the other Pole and Base assembly.



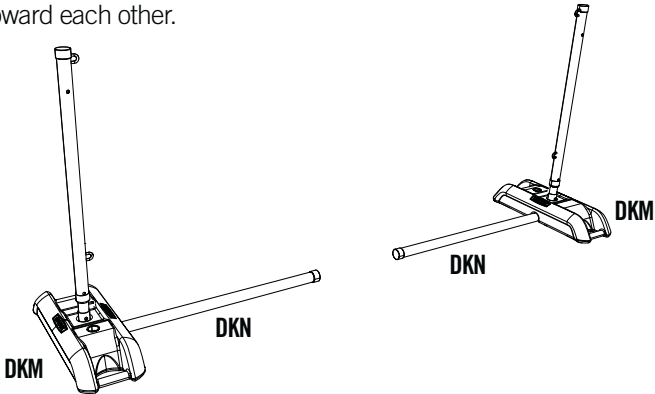
TOOLS AND HARDWARE REQUIRED FOR THIS PAGE

NO TOOLS OR HARDWARE REQUIRED FOR THIS PAGE

SEC

1.5

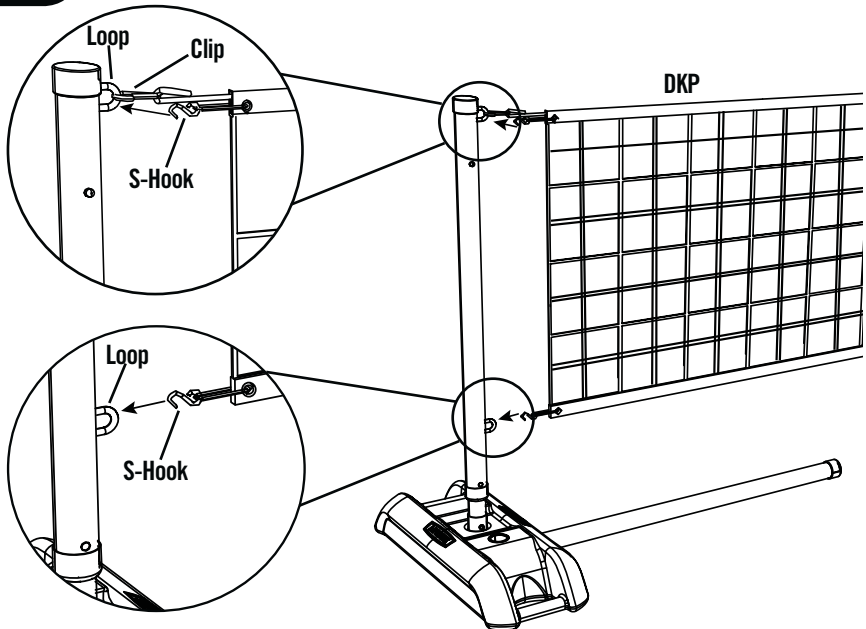
Arrange the **Bases (DKM)** as shown, with the **Support Legs (DKN)** facing in toward each other.



SEC

1.6

Use the **Clip** to secure the **Net (DKP)** to the top loop on the **Net Pole**. Stretch the **S-Hooks** over the top loop and bottom loop on the pole.



Note: Repeat this step to attach the net to the other side of the assembly.

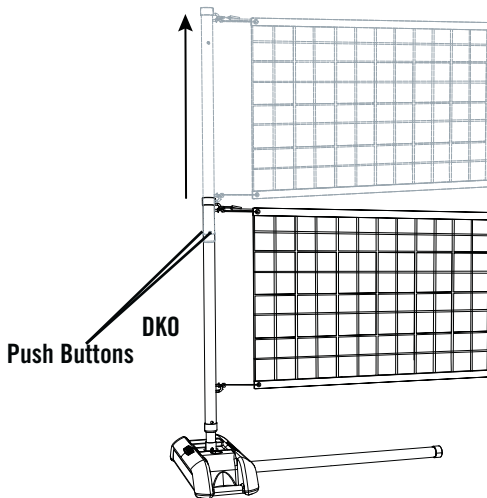


TOOLS AND HARDWARE REQUIRED FOR THIS PAGE

NO TOOLS OR HARDWARE REQUIRED FOR THIS PAGE

SEC 1.7

To adjust the height of the Net, press the Push Buttons near the top of the **Net Pole (DKO)** and slide the pole to the desired position. Make sure the Buttons snap into place. **Repeat this for the other side of the assembly.**



Note: The Net has two height settings: 3' and 5'1".



Note: To reduce the width of the Net, roll it onto the Net Pole until the desired length is reached.

If the warning sticker is illegible, destroyed, or removed, contact Customer Service for a replacement.



WARNING



Do not climb on Poles or Net.

1117935

QuickStart Tennis Rules

Abbreviated Rules

QUICKSTART TENNIS AGES 8 AND UNDER

Play on 36' x 18' court (singles)
Racket up to 23 inches in length
Red Foam or Low-Compression Ball

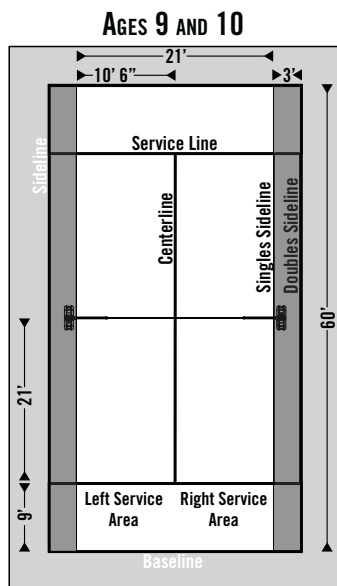
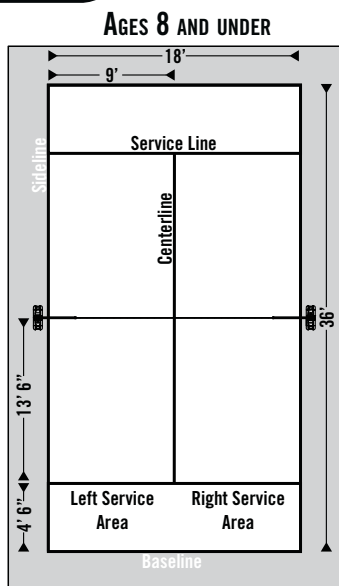
SCORING - The scoring system has been modified from standard tennis rules, eliminating the traditional 15, 30, 40, deuce system.

- For 8 and Under, matches are played the best of three *games*; the first to score seven points wins the game. The first to win two games wins the match. A typical match will last no longer than 20 minutes.
- For ages 9-10, players should play the best of three *sets*; the first to win four games wins a set. For the third set, the first player to win seven points wins the match.

QUICKSTART TENNIS AGES 9 AND 10

Play on 60' x 21' court (singles)
Racket up to 25 inches in length
Orange Low-Compression Ball

Court Dimensions



Note: This is an abbreviated form of the rules to give a quick overview of how the game is played. Visit 10andundertennis.com for more information. (©United State Tennis Association)

Paddle Badminton Rules

Abbreviated Rules

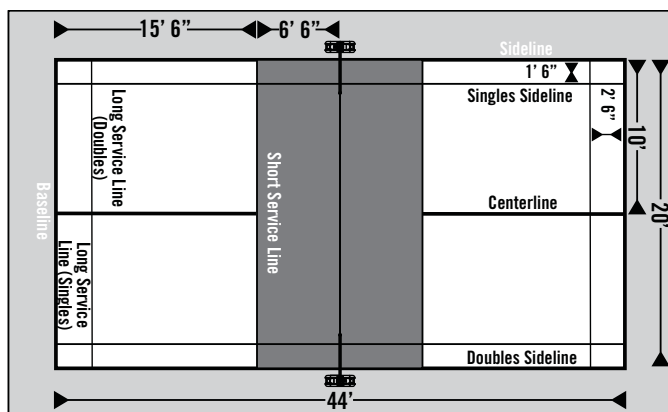
BASIC PLAY - The serve is underhand and does not bounce. The goal is to hit a birdie over the net and onto the floor within the court boundaries to win a point. The opponent tries to keep the birdie from hitting the ground by returning the birdie back over the net. If the serve clears the net but is short of the serving line, the opponent can choose to either hit the birdie and play the point or let the birdie fall short and win the point/serve.

15-POINT FORMAT - To win a match, you have to win 2 out of 3 games. Games are played to 15 points for men and 11 points for women. If the score becomes 14-all (10-all in women's singles), the side which first scored 14 (10) may choose to continue the game to 15 (11) points or to 'set' the game to 17 (13) points. If you win a rally in which your opposition served, you win back the service rights. Only the serving side can add a point to its score.

21-POINT FORMAT - To win a match, you have to win 2 out of 3 games. To win a game, you have to score 21 points. If a score becomes 20-20, the side which scores 2 consecutive points wins. If the score becomes 29-29, the side that scores the 30th point wins. In this format, points can be scored by both the serving and returning sides.

Court Dimensions

Net Height: 5' 1"
(5' at center)



Note: The Birdie included with this system is designed for use with Paddles, not rackets.



Note: This is an abbreviated form of the rules to give a quick overview of how the game is played. Visit carterpaddleton.com for more information. (©Carter Paddleton, LLC)

Pickleball Rules

Abbreviated Rules

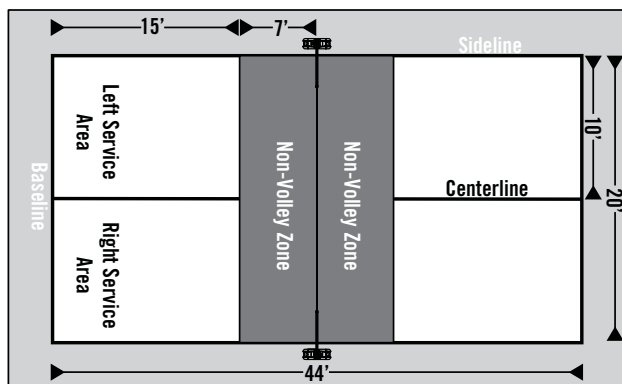
SERVICE - The serve must be hit underhand, the ball must only contact the paddle below waist-level, and the ball must be allowed to bounce once off the serve before being played. When the ball is returned in play, the serving team must also allow the ball to bounce before playing it. After the ball has bounced one time on both sides of the net, both teams can either volley the ball in the air or play it off the bounce. This is called the **double-bounce rule**. The serve is made diagonally cross-court and must clear the non-volley zone (see "The Non-volley Zone" below). Only one serve attempt is allowed, except in the event of a let (the ball touches the net on the serve, and lands on the correct service court).

THE NON-VOLLEY ZONE - The 7-foot zone on both sides of the net is called the non-volley zone. No volleying is permitted within the non-volley zone. To **volley** is to hit the ball in the air without first letting it bounce. This rule prevents players from executing smashes from within the zone. When volleying the ball, the player may not step on or over the line. It is a fault if the player's momentum causes the player or anything the player is wearing or carrying to touch the non-volley zone. It is a fault even if the ball is declared dead before the player touches the zone. A player may be in the non-volley zone at any other time.

SCORING - Both players on the serving team are allowed to serve, and a team shall score points only when serving. A game is played to eleven points and a team must win by two points. Rallies are lost by failing to return the ball in bounds to the opponent's court before the second bounce, stepping into the non-volley zone and volleying the ball, or by violating the double-bounce rule. The hand is considered an extension of the paddle. The player loses the rally if the ball hits any other part of his body or clothing.

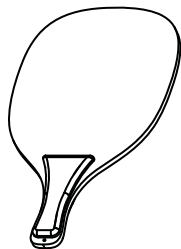
Court Dimensions

Net Height: 3'
(34" at center)

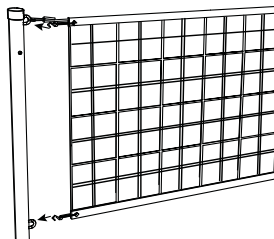


Note: This is an abbreviated form of the rules to give a quick overview of how the game is played. Visit USAPA.org for more information. (©USA Pickleball Association)

**ENHANCE YOUR LIFETIME® PURCHASE BY ADDING
ACCESSORIES OR OTHER GREAT PRODUCTS:**



DKR - Paddle
#1136053



DKP - Net
#1111546



DKT - Pickle Ball
#1136054



DKU - Birdie
#1111539

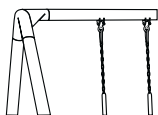


DKS - Youth Tennis Ball
#1111552

To purchase accessories or other Lifetime Products, visit us at:

www.lifetime.com

Or call: 1-800-424-3865



WARRANTY INFORMATION

LIFETIME PRODUCTS SPORTING GOODS

1-YEAR LIMITED FACTORY WARRANTY*

THE MANUFACTURER RESERVES THE RIGHT TO MAKE SUBSTITUTIONS TO WARRANTY CLAIMS IF PARTS ARE UNAVAILABLE OR OBSOLETE.

1. Lifetime Sporting Goods systems are warranted to the original purchaser to be free from defects in material or workmanship for a period of one year from the date of original retail purchase. The word "defects" is defined as imperfections that impair the use of the product. Defects resulting from misuse, abuse or negligence will void this warranty. This warranty does not cover defects due to improper installation, alteration or accident. This warranty does not cover damage caused by vandalism, rusting, "acts of nature" or any other event beyond the control of the manufacturer.
2. This warranty is nontransferable and is expressly limited to the repair or replacement of defective sporting goods equipment. If the equipment is defective within the terms of this warranty, Lifetime Products, Inc. will repair or replace defective parts at no cost to the purchaser. Shipping charges to and from the factory are not covered and are the responsibility of the purchaser. Labor charges and related expenses for removal, installation or replacement of the sporting goods system or its components are not covered under this warranty.
3. This warranty does not cover scratching or scuffing of the product that may result from normal usage. In addition, defects resulting from intentional damage, negligence, unreasonable use or hanging from the net or rim will void this warranty.
4. This warranty does not cover the balls and birdies included with this system.
5. Liability for incidental or consequential damages is excluded to the extent permitted by law. While every attempt is made to embody the highest degree of safety in all equipment, freedom from injury cannot be guaranteed. The user assumes all risk of injury resulting from the use of this product. All merchandise is sold on this condition, and no representative of the company may waive or change this policy.
6. This product is not intended for institutional or commercial use; Lifetime Products, Inc. does not assume any liability for such use. Institutional or commercial use will void the warranty.
7. This warranty is expressly in lieu of all other warranties, expressed or implied, including warranties of merchantability or fitness for use to extent permitted by Federal and state law. Neither Lifetime Products, Inc., nor any representative assumes any other liability in connection with this product. This warranty gives you specific legal rights, and you may also have other rights which vary from state to state.

ALL WARRANTY CLAIMS MUST BE ACCOMPANIED BY A SALES RECEIPT.

REPORT PRODUCT DEFECTS IN WRITING TO:

Lifetime Products, Inc., PO Box 160010 Clearfield, UT 84016-0010, or call (800) 225-3865

M-F 7 a.m. to 5 p.m. MST.

****Call or visit our Web site for Saturday hours****

Please include your dated sales receipt and photographs of damaged parts.

To register the product, visit our Web site at www.lifetime.com



www.lifetime.com

***Warranty is only valid in the United States.**